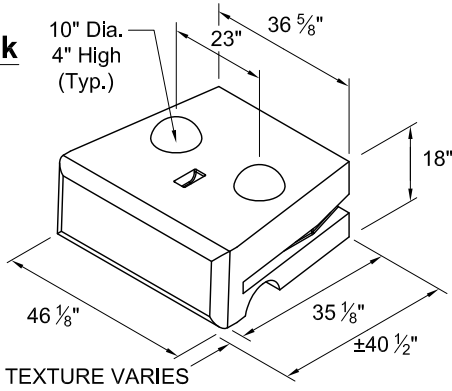


# 9" SETBACK BLOCKS

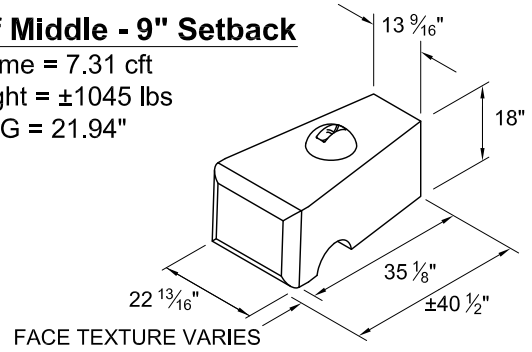
## Middle - 9" Setback

Volume = 16.47 cft  
Weight = ±2355 lbs  
C of G = 20.80"



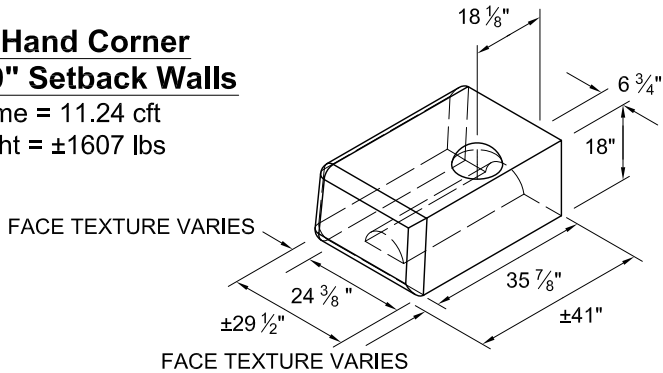
## Half Middle - 9" Setback

Volume = 7.31 cft  
Weight = ±1045 lbs  
C of G = 21.94"



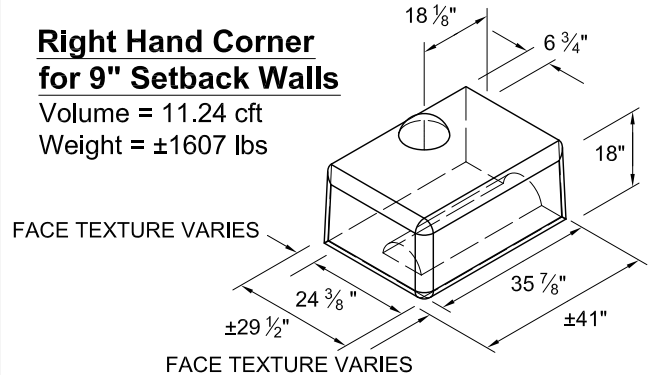
## Left Hand Corner for 9" Setback Walls

Volume = 11.24 cft  
Weight = ±1607 lbs



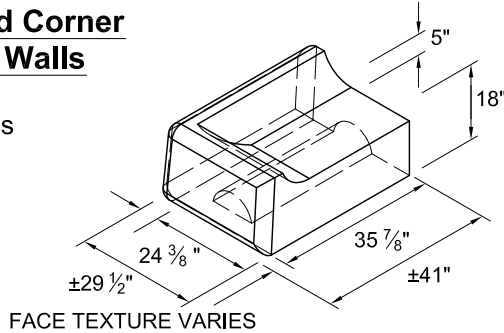
## Right Hand Corner for 9" Setback Walls

Volume = 11.24 cft  
Weight = ±1607 lbs



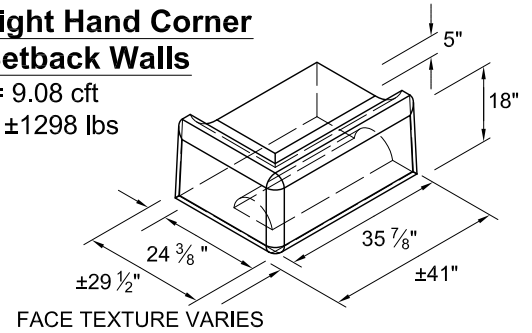
## Top - Left Hand Corner for 9" Setback Walls

Volume = 9.08 cft  
Weight = ±1298 lbs



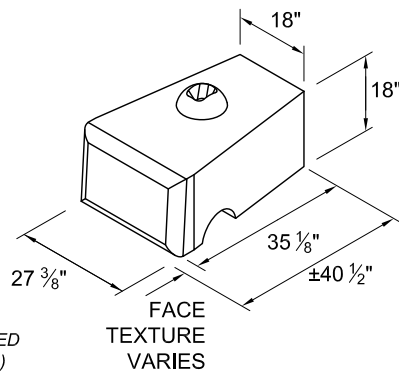
## Top - Right Hand Corner for 9" Setback Walls

Volume = 9.08 cft  
Weight = ±1298 lbs

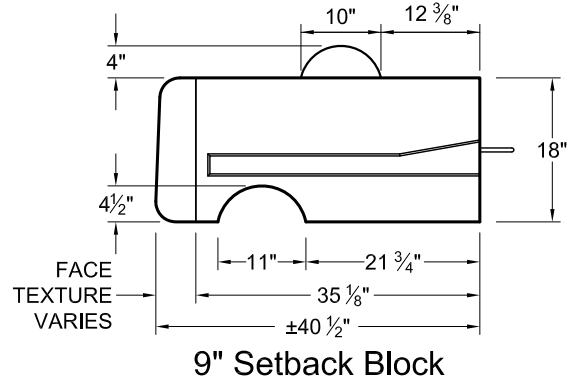


## (Specialty Block) 27" Wide Middle for 9" Setback Walls

Volume = 9.32 cft  
Weight = ±1332 lbs  
C of G = 21.49"



(THIS SPECIALTY BLOCK MAY HAVE LIMITED AVAILABILITY AND IS ONLY USED IN DOUBLE 90° CORNER APPLICATIONS)



### NOTES:

Volume and Center of Gravity (C of G) calculations are based on the blocks as shown.

Center of Gravity is measured from the back of the block.

Half blocks may include a fork lift slot on one side.

Actual weights and volumes may vary.

Weight shown is based on 143 pcf concrete.

DRAWN BY M. WALZ	05/31/11
CHECKED BY	
APPROVED BY	
ISSUE DATE	

Redi-Rock® International, LLC

DRAWING FILE 9in Setback Block Details 053111.dwg	REVISION ---
SCALE NO SCALE	SHEET NO. 1 OF 1