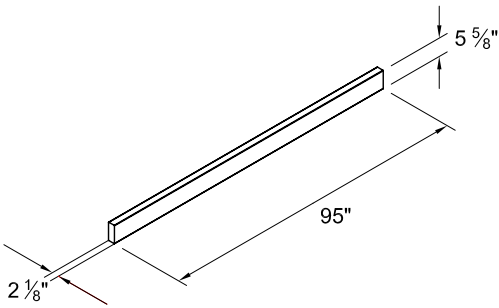
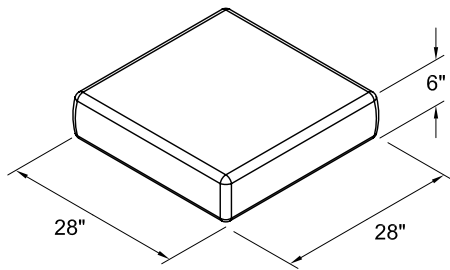
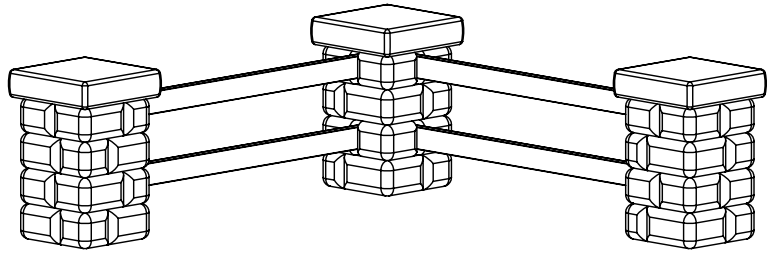


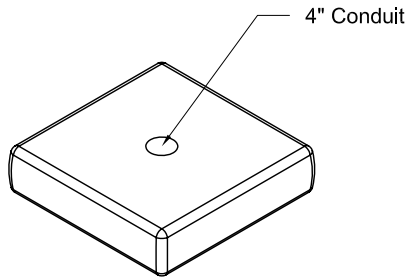
# COLUMN AND FENCE SERIES



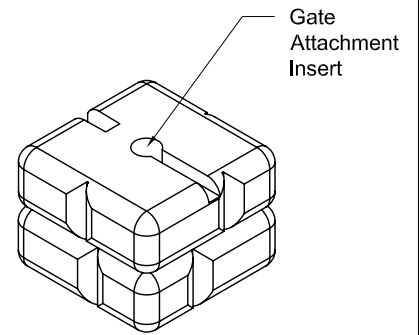
**Fence Rail**  
(Typical, Wood or Concrete)



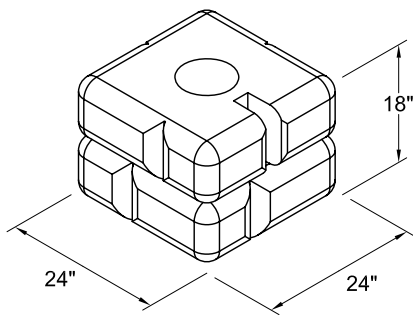
**Column Cap**  
(Four Sided)  
Volume = 2.56 cft  
Weight = ±366 lbs



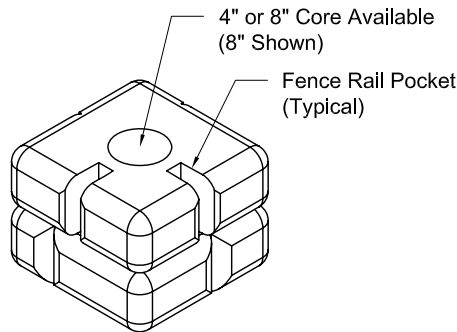
**Column Cap with Conduit**  
Volume = 2.52 cft  
Weight = ±360 lbs



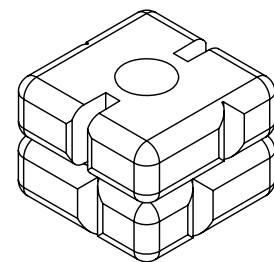
**Gate Column**  
Volume = 5.44 cft  
Weight = ±778 lbs



**End Column**  
Volume = 5.07 cft  
Weight = ±725 lbs



**Corner Column**  
Volume = 5.00 cft  
Weight = ±715 lbs



**Line Column**  
Volume = 5.00 cft  
Weight = ±715 lbs

**NOTES:**

Volume based on blocks as shown.  
Actual weights and volumes may vary.  
Weight shown is based on 143 pcf concrete.

DRAWN BY J. JOHNSON	01/15/09	<b>Redi-Rock® International, LLC</b>	
CHECKED BY			
APPROVED BY		DRAWING FILE Block Specs 6 - Fence and Column 011509.dwg	REVISION ---
ISSUE DATE		SCALE NO SCALE	SHEET NO. 1 OF 1