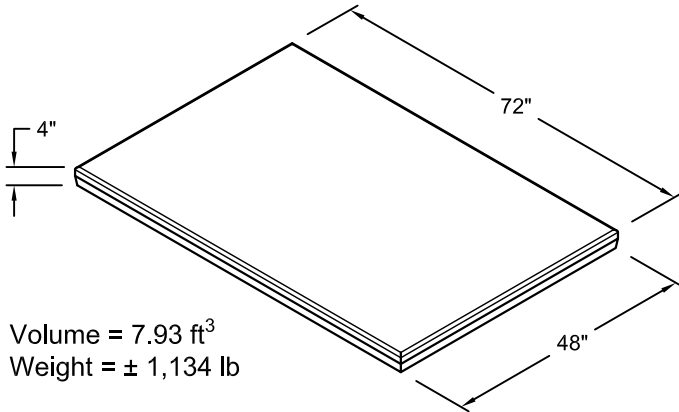


# QUARRIED PAVER SERIES

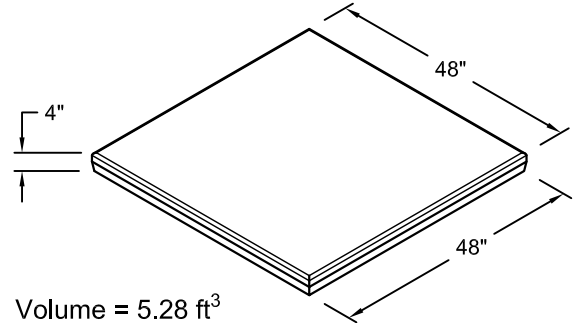
PAVERS COME STANDARD WITH SMOOTH SIDES. ANY SIDE CAN BE REPLACED WITH TEXTURED SURFACE. MOST COMMONLY USED PAVERS ARE SHOWN BELOW.

**6' Pavers**



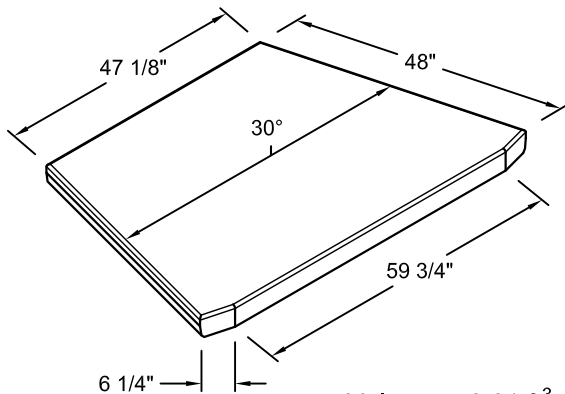
Volume = 7.93 ft<sup>3</sup>  
Weight = ± 1,134 lb

**4' Pavers**



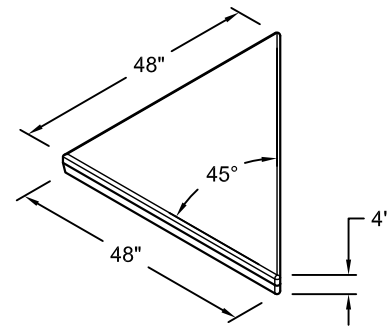
Volume = 5.28 ft<sup>3</sup>  
Weight = ± 755 lb

**Curved Sidewalk Paver**



Volume = 6.61 ft<sup>3</sup>  
Weight = ± 945 lb

**Triangle Paver**



Volume = 2.63 ft<sup>3</sup>  
Weight = ± 376 lb

Embedments or openings may be placed at any location.

**NOTES:**

Volume based on pavers as shown.

Actual weights and volumes may vary.

Weight shown is based on 143 lb/ft<sup>3</sup> concrete.

DRAWN BY RRI	01/11/10	Redi-Rock® International, LLC	
CHECKED BY			
APPROVED BY		DRAWING FILE Block Specs 9 - Pavers 011110.dwg	REVISION ---
ISSUE DATE		SCALE NO SCALE	SHEET NO. 1 OF 1