

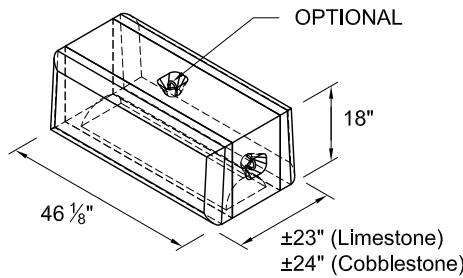
# FREESTANDING SERIES BLOCKS

(FINISHED ON TWO SIDES)

## Straight Top

(Smooth or Textured)

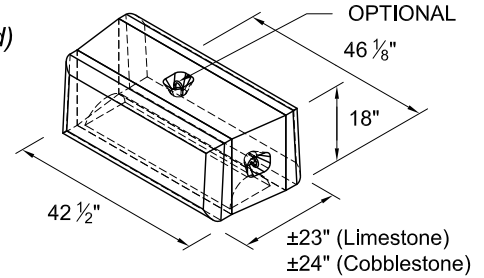
Full Block (46 1/8")  
Volume = 10.46 cft  
Weight = ±1496 lbs  
Half Block (23 1/16")  
Volume = 5.22 cft  
Weight = ±747 lbs



## Curved Top

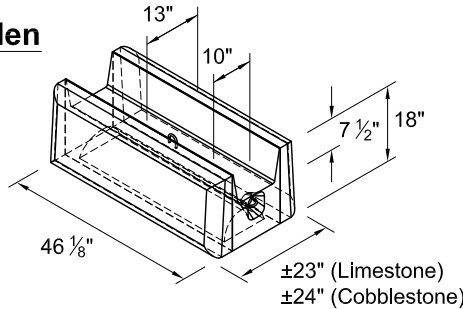
(Smooth or Textured)

Volume = 10.03 cft  
Weight = ±1434 lbs



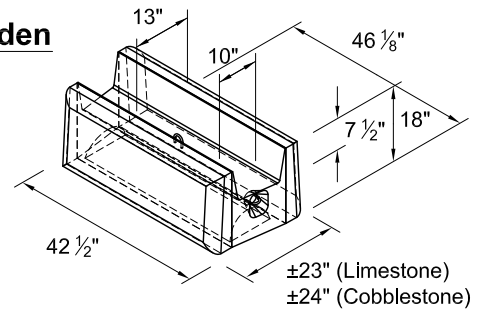
## Straight Top Garden

Full Block (46 1/8")  
Volume = 7.98 cft  
Weight = ±1141 lbs  
Half Block (23 1/16")  
Volume = 3.97 cft  
Weight = ±567 lbs



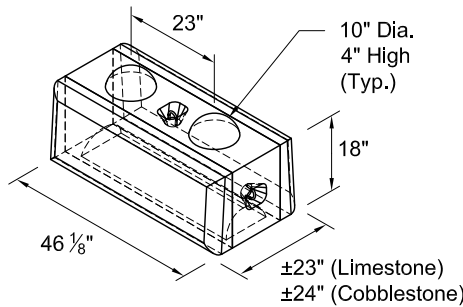
## Curved Top Garden

Volume = 7.65 cft  
Weight = ±1093 lbs



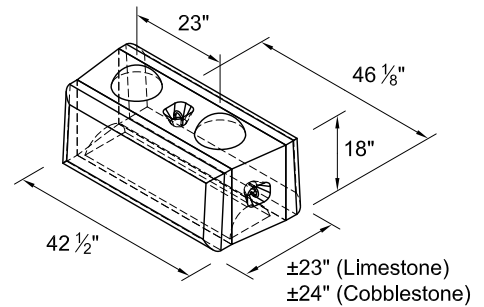
## Straight Middle

Full Block (46 1/8")  
Volume = 10.68 cft  
Weight = ±1527 lbs  
Half Block (23 1/16")  
Volume = 5.33 cft  
Weight = ±762 lbs



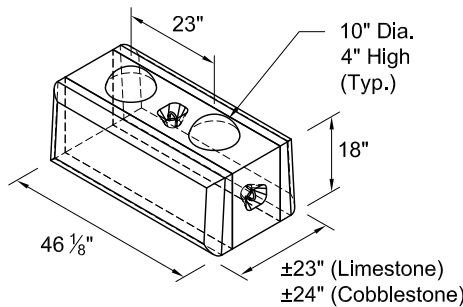
## Curved Middle

Volume = 10.24 cft  
Weight = ±1465 lbs



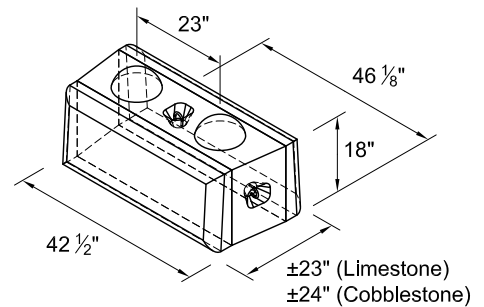
## Straight Bottom

Full Block (46 1/8")  
Volume = 11.53 cft  
Weight = ±1649 lbs  
Half Block (23 1/16")  
Volume = 5.74 cft  
Weight = ±821 lbs



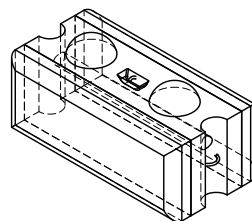
## Curved Bottom

Volume = 11.10 cft  
Weight = ±1588 lbs



## Force Protection

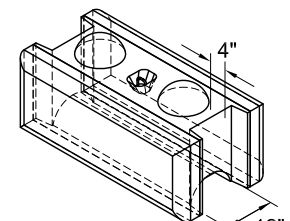
Straight blocks can be manufactured with a 3" horizontal tube for post-tensioned cable installation.  
Straight and curved blocks can be manufactured with 6" vertical tubes for mechanical tie-down bolt installation.



(Straight Full Bottom Block Shown)

## Variable Radius Walls

Straight block styles can be manufactured with the end block insert to allow the blocks to be used in a variable radius wall.



(Straight Full Middle Block Shown)

### NOTES:

- Architectural faces on the blocks have varying texture.
- Volumes are based on the blocks as shown.
- Actual weights and volumes may vary.
- Weight shown is based on 143 pcf concrete.

DRAWN BY J. JOHNSON	03/18/10	Redi-Rock® International, LLC	
CHECKED BY			
APPROVED BY		DRAWING FILE FS Series Blocks 031810.dwg	REVISION ---
ISSUE DATE		SCALE NO SCALE	SHEET NO. 1 OF 1