

# FREESTANDING SERIES CORNERS

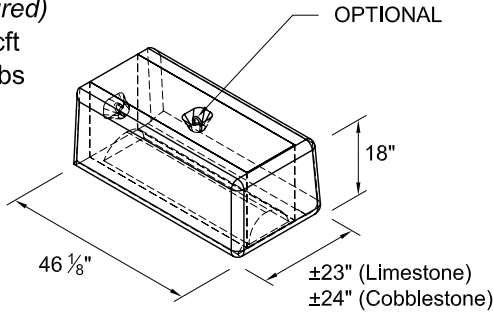
(FINISHED ON THREE SIDES)

## Top Corner

(Smooth or Textured)

Volume = 10.44 cft

Weight = ±1493 lbs

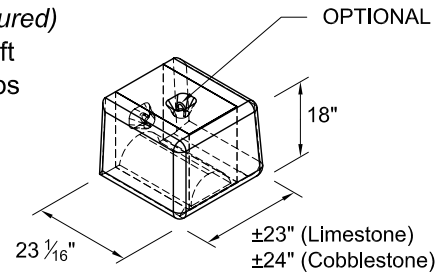


## Half Top Corner

(Smooth or Textured)

Volume = 5.18 cft

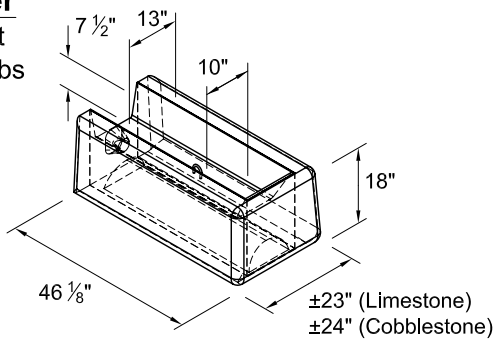
Weight = ±741 lbs



## Garden Corner

Volume = 8.26 cft

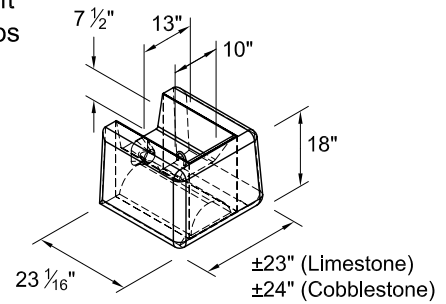
Weight = ±1182 lbs



## Half Garden Corner

Volume = 4.25 cft

Weight = ±607 lbs

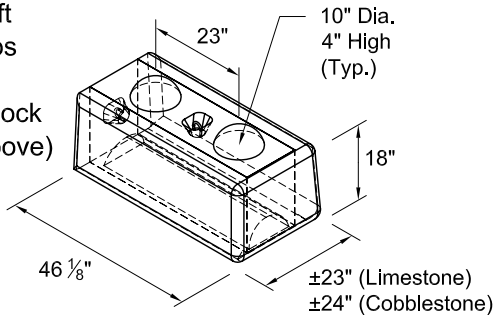


## Middle Corner

Volume = 10.73 cft

Weight = ±1534 lbs

(Bottom Corner Block does not have groove)

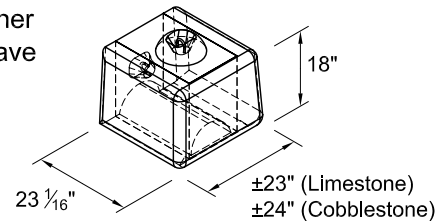


## Half Middle Corner

Volume = 5.28 cft

Weight = ±755 lbs

(Half Bottom Corner Block does not have groove)



### NOTES:

Architectural faces on the blocks have varying texture.

Volumes are based on the blocks as shown.

Actual weights and volumes may vary.

Weight shown is based on 143 pcf concrete.

DRAWN BY J. JOHNSON	10/05/09	Redi-Rock® International, LLC	
CHECKED BY			
APPROVED BY		DRAWING FILE FS Series Corners 100509.dwg	REVISION ---
ISSUE DATE		SCALE NO SCALE	SHEET NO. 1 OF 1