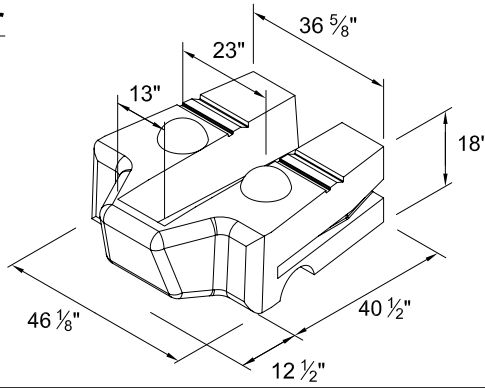


# SPECIALTY BLOCKS

## **Protruding Planter**

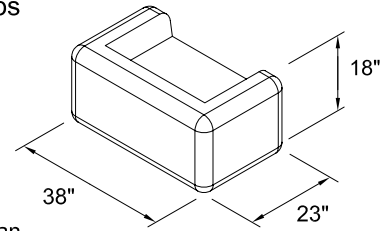
Volume = 15.45 cft  
 Weight = ±2210 lbs  
 C of G = 24.71"



Note: Limestone face shown. Cobblestone face also available.

## **23" End Block**

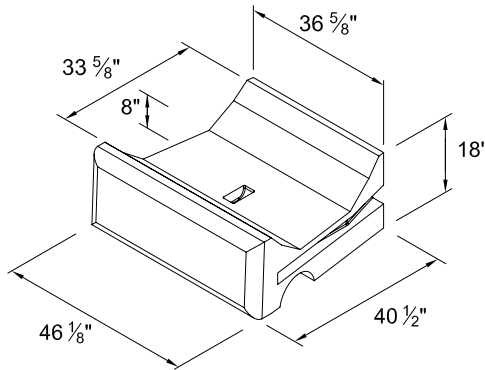
Volume = 6.79 cft  
 Weight = ± 970 lbs  
 C of G = 12.29"



Note: This block can also be used with the 28" Series blocks.

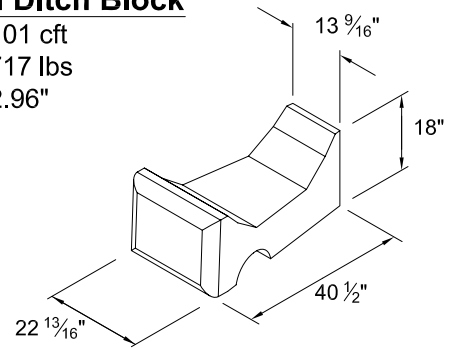
## **Drain Ditch Block**

Volume = 11.28 cft  
 Weight = ±1614 lbs  
 C of G = 21.57"



## **Half Drain Ditch Block**

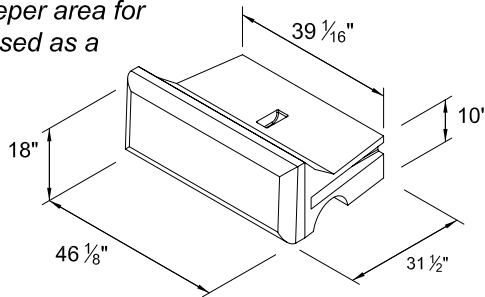
Volume = 5.01 cft  
 Weight = ±717 lbs  
 C of G = 22.96"



## **Drain Ditch Block - MODIFIED**

*(Block poured to the back of the ditch line. This provides deeper area for topsoil when block is used as a top block)*

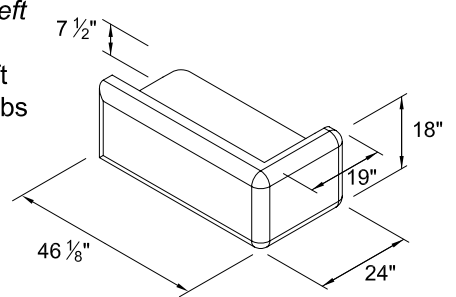
Volume = 8.5 cft  
 Weight = ±1215 lbs  
 C of G = 18.1"



## **Garden Corner - MODIFIED**

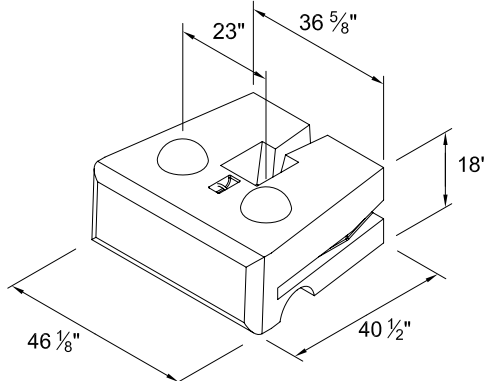
*(Back edge of block sawcut and removed to make right or left top corner block)*

Volume = 8.26 cft  
 Weight = ±1180 lbs



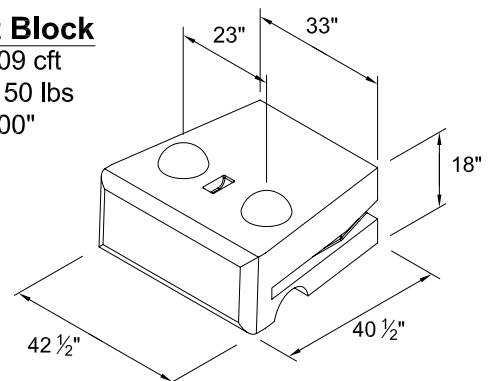
## **Anchor Block**

Volume = 15.80 cft  
 Weight = ±2259 lbs  
 C of G = 21.2"



## **42 1/2" Short Block**

Volume = 15.09 cft  
 Weight = ± 2150 lbs  
 C of G = 21.00"



### **NOTES:**

Volume and Center of Gravity (C of G) calculations are based on the blocks as shown.

Center of Gravity is measured from the back of the block.

Half blocks include a fork lift slot on one side.

Actual weights and volumes will may vary.

Weight shown is based on 143 pcf concrete.

DRAWN BY J. JOHNSON	01/12/09	<b>Redi-Rock® International, LLC</b>	
CHECKED BY			
APPROVED BY		DRAWING FILE Specialty Blocks Used with 41in Series 011209.dwg	REVISION ---
ISSUE DATE		SCALE NO SCALE	SHEET NO. 1 OF 1