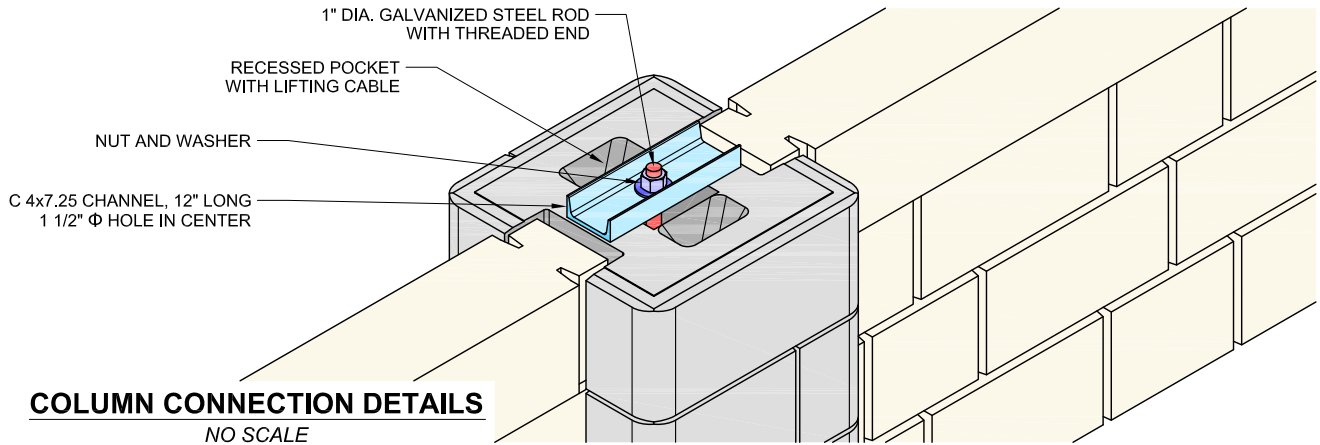


**PANEL WALL - SECTION**  
NO SCALE

**FOUNDATION DETAILS**

WALL HEIGHT	FOOTING DEPTH		FOOTING DIA.	COLUMN SIZE	COLUMN / FOOTING SPACING	1" DIAMETER GALVANIZED ROD
	SILTY CLAY	SAND, GRAVEL				
3'-0"	4'-6"	3'-6"	2'-6"	20" x 20" x 36"	13'-6" O.C.	8'-0" LONG (3'-2" EXPOSED)
6'-0"	6'-6"	5'-6"	2'-6"	20" x 20" x 36"	13'-6" O.C.	13'-0" LONG (6'-2" EXPOSED)
9'-0"	8'-0"	6'-6"	2'-6"	20" x 20" x 36"	13'-6" O.C.	17'-6" LONG (9'-2" EXPOSED)

FOUNDATION DESIGN BASED ON 90 mph WIND AND NOTED SOIL CONDITIONS.

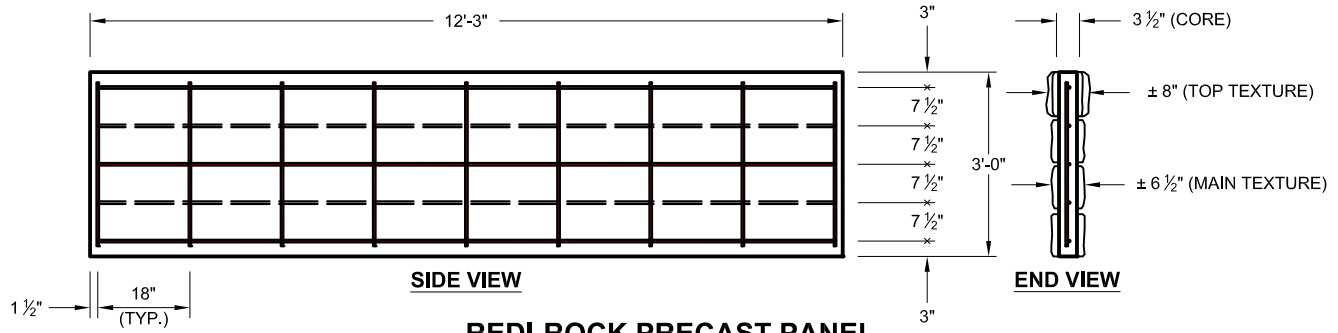


**COLUMN CONNECTION DETAILS**  
NO SCALE

DRAWN BY: JRJ  
 APPROVED BY: JRJ  
 DATE: 06-22-2015  
 SHEET: 1 of 2

TITLE: Panel Wall 20" Column Details  
 FILE: 5 Panel Wall 20in Column Details 062215.dwg

**REDI-ROCK®**  
 05481 US 31 SOUTH, CHARLEVOIX, MI 49720  
 (866) 222-8400 ext 3010 • engineering@redi-rock.com  
 www.redi-rock.com

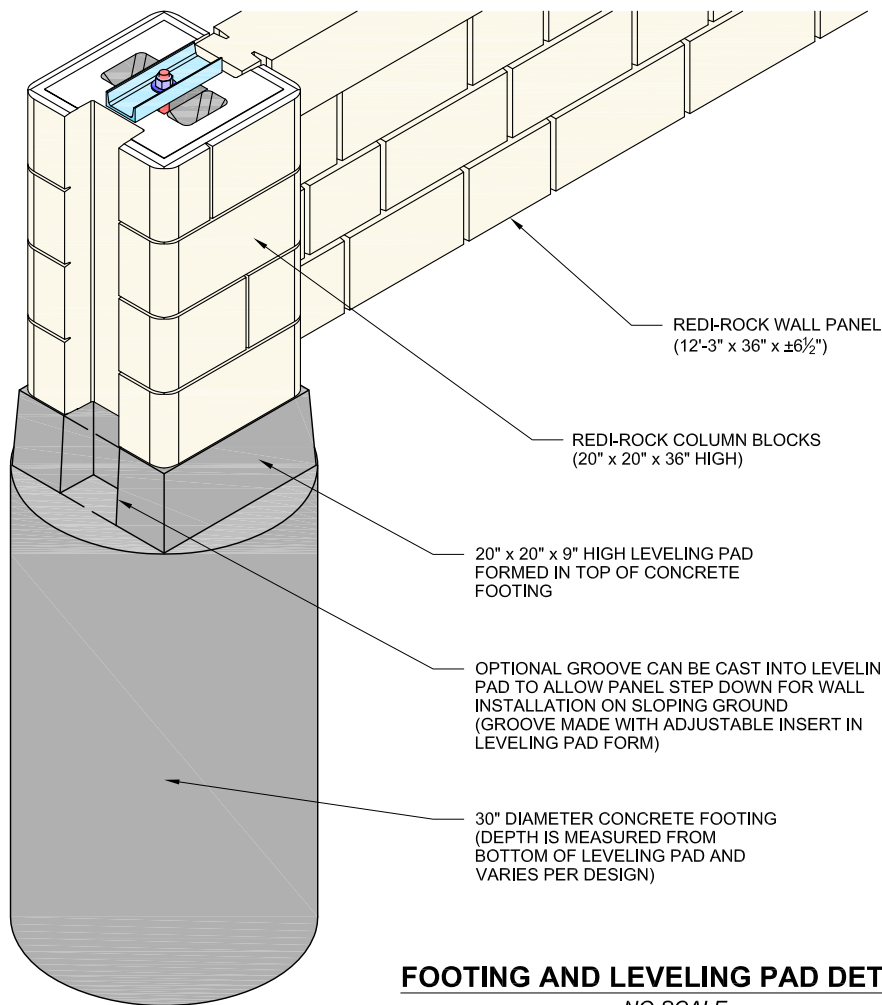


**REDI-ROCK PRECAST PANEL**  
NO SCALE

**REINFORCEMENT DETAILS - 90 mph MAXIMUM WIND SPEED**

WIND SPEED	HORIZONTAL REINFORCEMENT	VERTICAL REINFORCEMENT
90 mph *	(3) #4 BARS, 12'-0" LONG, AT 15" O.C.	(9) #4 BARS, 2'-8" LONG, AT 18" O.C.
150 mph	(5) #4 BARS, 12'-0" LONG, AT 7 1/2" O.C.	(9) #4 BARS, 2'-8" LONG, AT 18" O.C.

\* ALTERNATE REINFORCEMENT FOR 90 mph WIND = 6 x 6 - W5.5 x W5.5 WELDED WIRE FABRIC



**FOOTING AND LEVELING PAD DETAILS**  
NO SCALE

DRAWN BY:	JRJ
APPROVED BY:	JRJ
DATE:	06-22-2015
SHEET:	2 of 2

TITLE:	<b>Panel Wall 20" Column Details</b>
FILE:	

**REDI-ROCK®**  
 05481 US 31 SOUTH, CHARLEVOIX, MI 49720  
 (866) 222-8400 ext 3010 • engineering@redi-rock.com  
 www.redi-rock.com