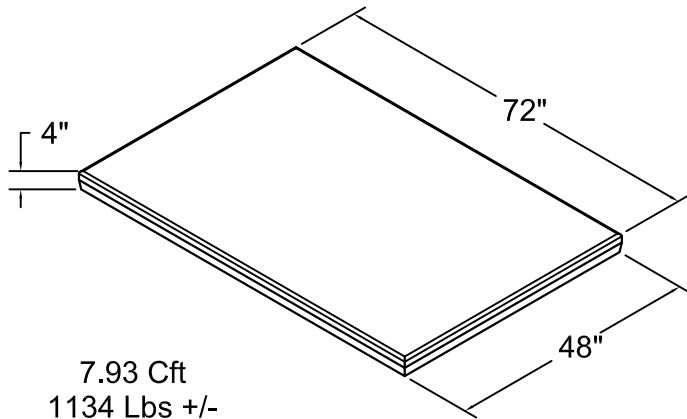


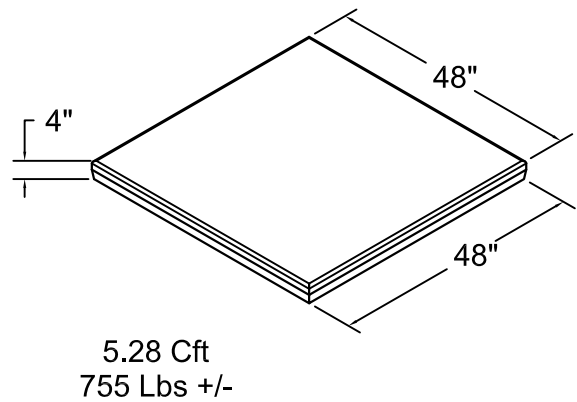
# Quarried Paver Series

Pavers come standard with smooth sides. Any side can be replaced with textured surface. Most commonly used pavers are shown below.

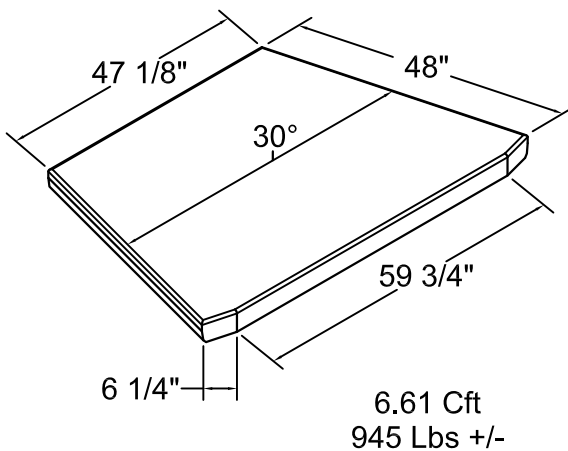
## 6' Pavers



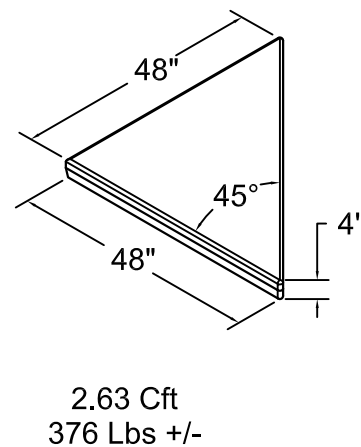
## 4' Pavers



## Curved Sidewalk Paver



## Triangle Paver



Embedments or openings may be placed at any location.

DRAWN BY:	JRJ
APPROVED BY:	JRJ
DATE:	06-22-2015
SHEET:	1 of 1

TITLE:	Quarried Paver Slabs
FILE:	

**REDI-ROCK®**  
 05481 US 31 SOUTH, CHARLEVOIX, MI 49720  
 (866) 222-8400 ext 3010 • engineering@redi-rock.com  
[www.redi-rock.com](http://www.redi-rock.com)