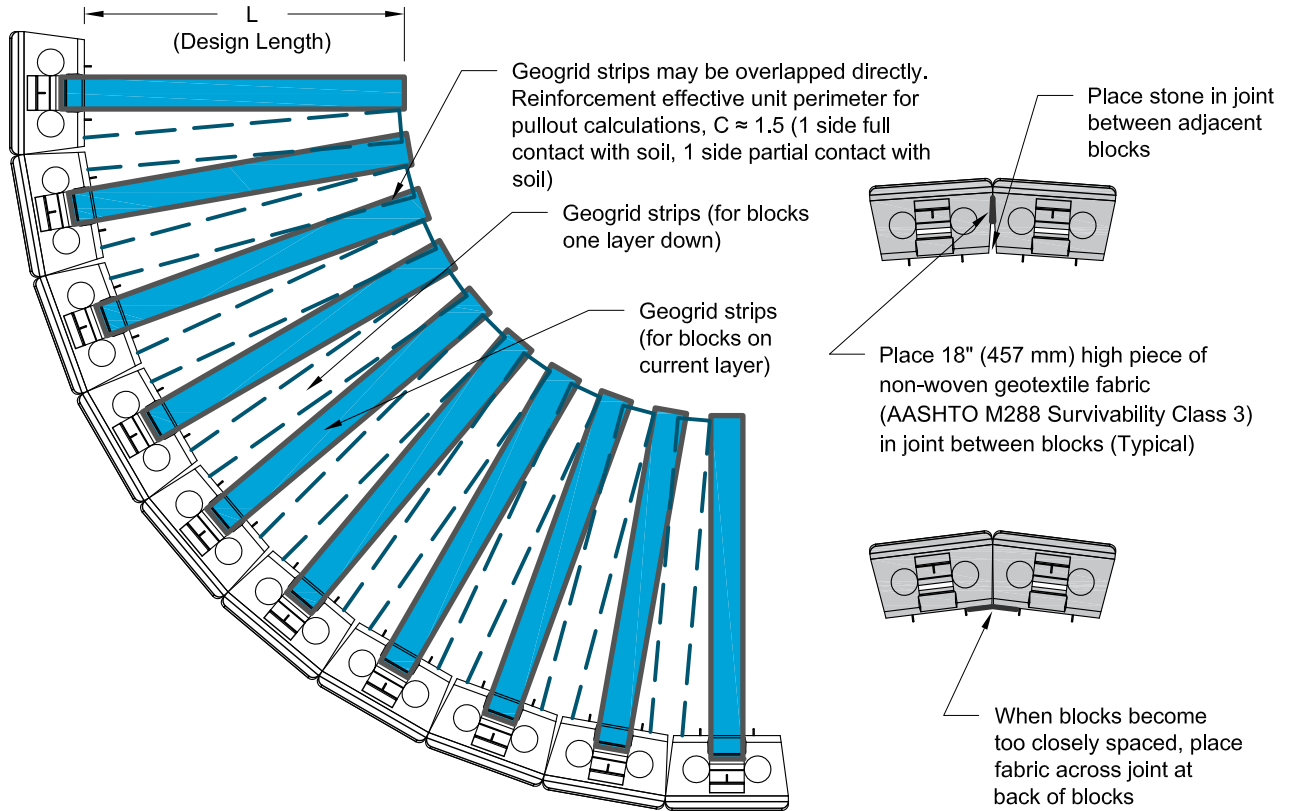


Geogrid Layout for Convex Curves and Radial Corners

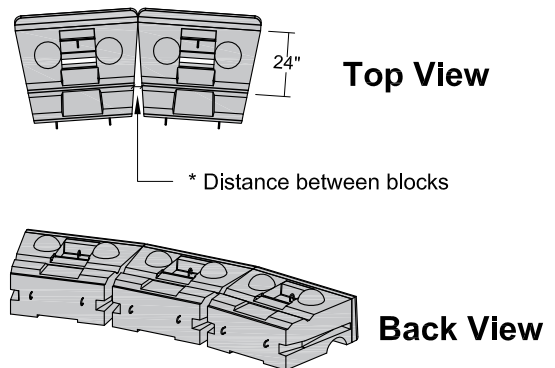


Minimum radius for bottom row

Number of courses	Height of wall	Radius from face of block	Distance between blocks*
1	1'-6" (0.46 m)	14'-6" (4.42 m)	0.13" (3 mm)
2	3'-0" (0.91 m)	14'-8" (4.47 m)	0.21" (5 mm)
3	4'-6" (1.37 m)	14'-10" (4.52 m)	0.28" (7 mm)
4	6'-0" (1.83 m)	15'-0" (4.57 m)	0.36" (9 mm)
5	7'-6" (2.29 m)	15'-2" (4.62 m)	0.43" (11 mm)
6	9'-0" (2.74 m)	15'-4" (4.67 m)	0.50" (13 mm)
7	10'-6" (3.20 m)	15'-6" (4.72 m)	0.57" (15 mm)
8	12'-0" (3.66 m)	15'-8" (4.78 m)	0.63" (16 mm)
9	13'-6" (4.11 m)	15'-10" (4.83 m)	0.70" (18 mm)
10	15'-0" (4.57 m)	16'-0" (4.88 m)	0.76" (19 mm)
11	16'-6" (5.03 m)	16'-2" (4.93 m)	0.83" (21 mm)
12	18'-0" (5.49 m)	16'-4" (4.98 m)	0.88" (22 mm)
13	19'-6" (5.94 m)	16'-6" (5.03 m)	0.95" (24 mm)
14	21'-0" (6.40 m)	16'-8" (5.08 m)	1.01" (26 mm)

* Distance between blocks is measured at the back of 28" (710 mm) blocks and 24" (610 mm) behind the form parting line (back edge of face texture) for 41" (1030 mm) blocks. This distance is intended to be a guide only. Minimum radius is controlling.

14'-6" (4.42 m) is the minimum radius for Redi-Rock blocks. It occurs when all the blocks are placed tight together. A larger radius is required on the bottom row of a Redi-Rock wall to account for the batter between courses of blocks and still provide enough space to construct the top row of blocks.



This drawing is for reference only. Determination of the suitability and/or manner of use of any details contained in this document is the sole responsibility of the design engineer of record. Final project designs, including all construction details, shall be prepared by a licensed professional engineer using the actual conditions of the proposed site.

DRAWN BY:	JRJ
APPROVED BY:	JRJ
DATE:	06-22-2015
SHEET:	1 of 1

TITLE:	Convex Curves and Radial Corners Geogrid Layout
FILE:	

05481 US 31 SOUTH, CHARLEVOIX, MI 49720
 (866) 222-8400 ext 3010 • engineering@redi-rock.com
www.redi-rock.com