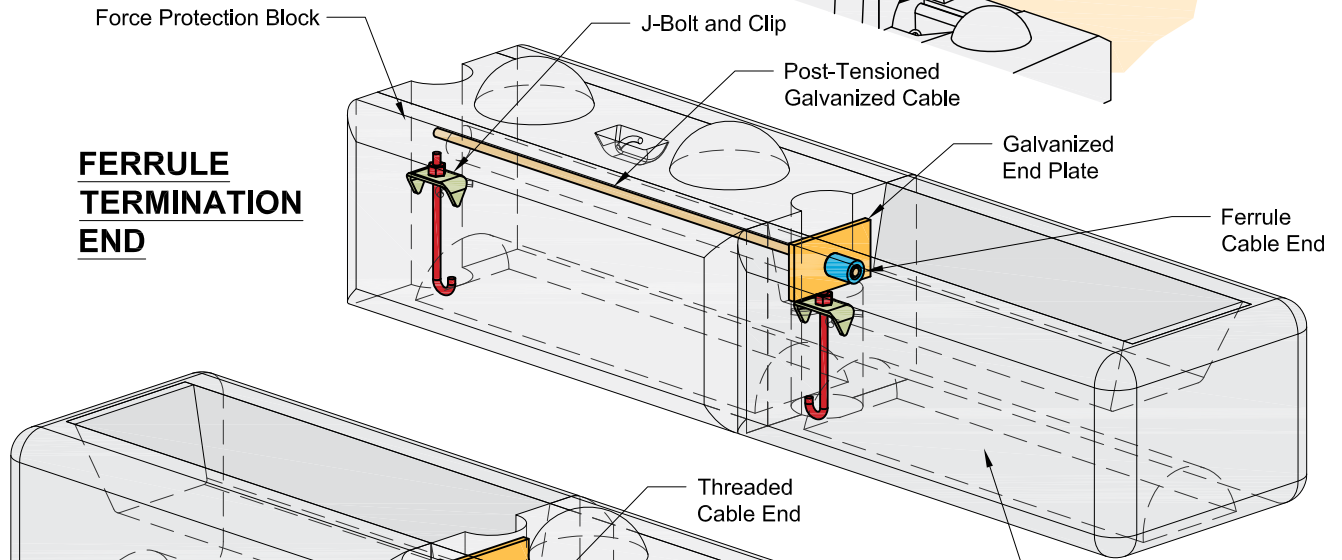
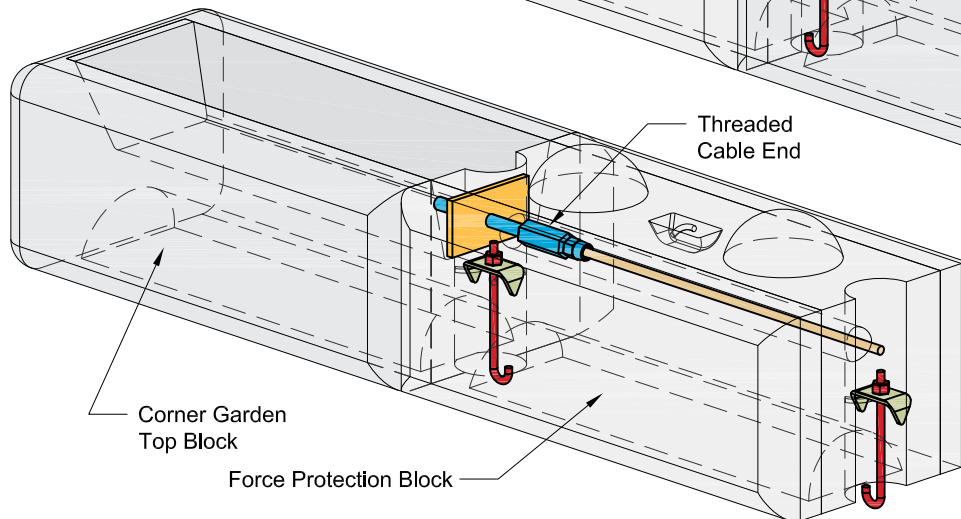


**FERRULE  
TERMINATION  
END**



**THREADED  
TERMINATION  
END**



- This drawing is for reference only.
- Final designs for construction must be prepared by a registered Professional Engineer using the actual conditions of the proposed site.
- Final wall design must address both internal and external drainage and shall be evaluated by the Professional Engineer who is responsible for the wall design.

DRAWN BY:	J. JOHNSON
APPROVED BY:	J. JOHNSON
DATE:	FEB. 8, 2015
SHEET:	1 of 1

TITLE:	<b>FORCE PROTECTION COPING WITH J-BOLTS AND POST-TENSIONED CABLE</b>
FILE:	Force Protection Coping 020815.dwg

**REDI-ROCK™**  
 05481 US 31 SOUTH, CHARLEVOIX, MI 49720  
 (866) 222-8400 ext 3010 • [www.redi-rock.com](http://www.redi-rock.com)