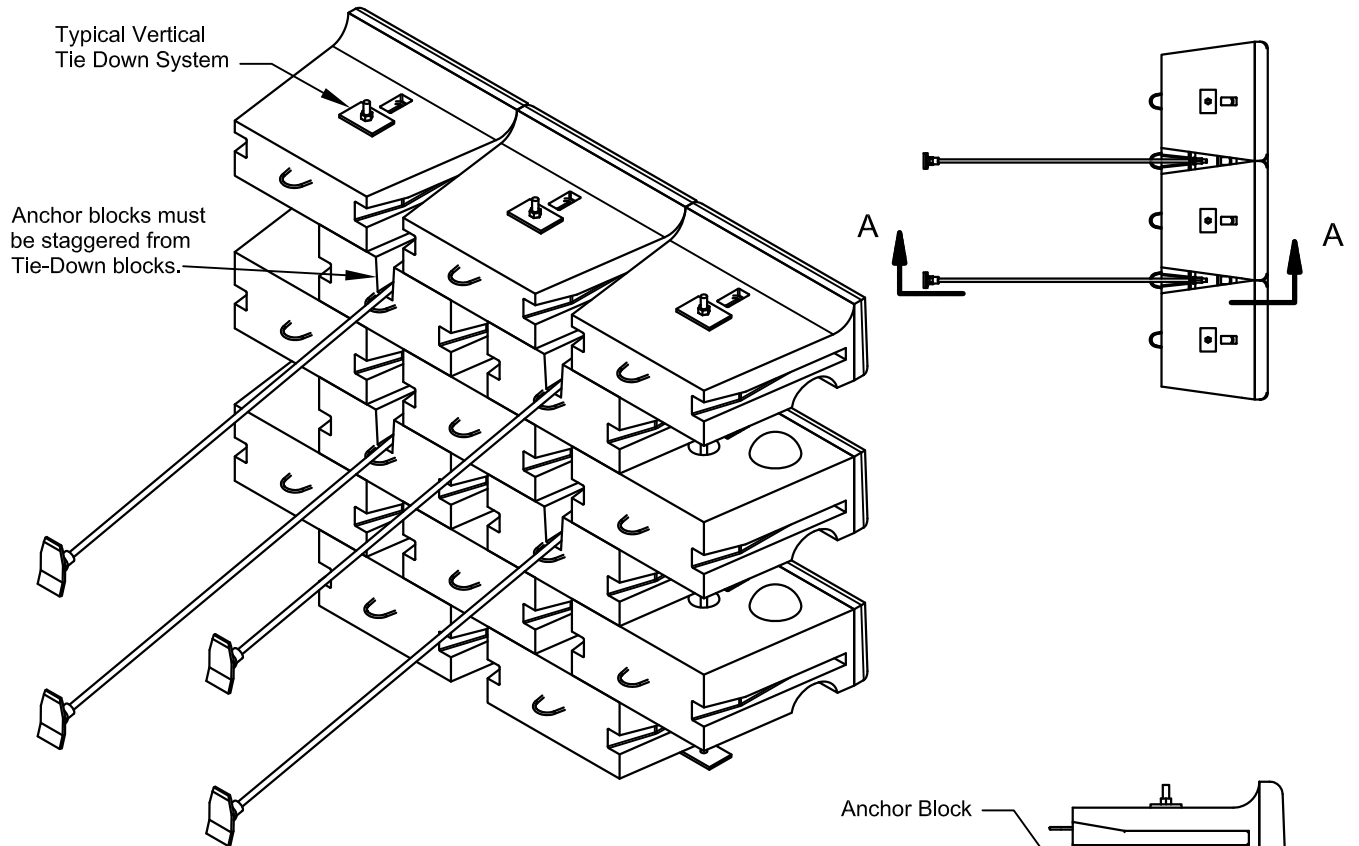
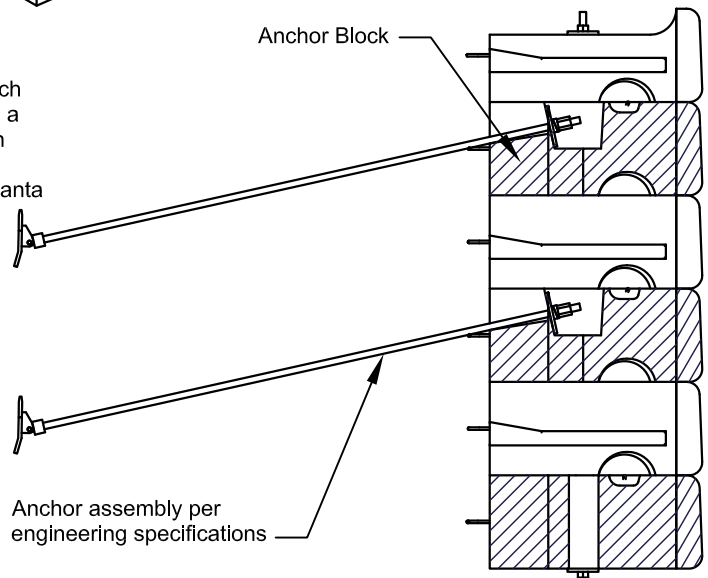


Vertical Tie-Down System with Earth Anchors



In some specific situations, physical restrictions exist which do not permit Geogrid soil reinforcement. In these cases, a unique tie-back system can be designed using a drilled in place anchor which can then be attached to a specially designed anchor block. Examples include Helical and "Manta Ray" anchoring system.



SECTION A-A

This drawing is for reference only. Determination of the suitability and/or manner of use of any details contained in this document is the sole responsibility of the design engineer of record. Final project designs, including all construction details, shall be prepared by a licensed professional engineer using the actual conditions of the proposed site.

DRAWN BY:	JRJ
APPROVED BY:	JRJ
DATE:	06-22-2015
SHEET:	1 of 1

TITLE:	Vertical Tie-Down System with Earth Anchors
FILE:	3 Vertical Tiedown System with Earth Anchors 062215.dwg

REDI-ROCK®

05481 US 31 SOUTH, CHARLEVOIX, MI 49720
 (866) 222-8400 ext 3010 • engineering@redi-rock.com
www.redi-rock.com