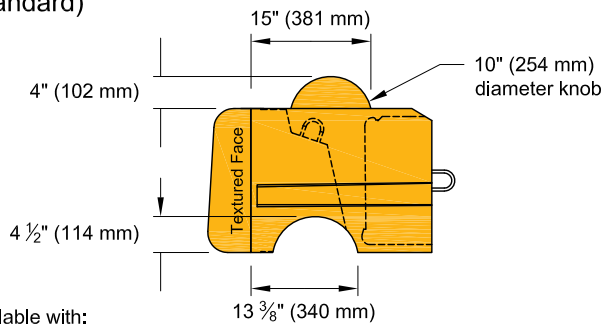


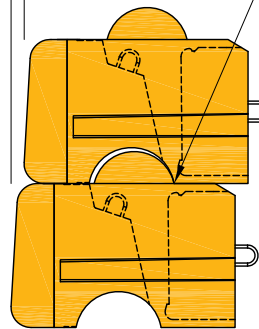
BLOCK-TO-BLOCK SETBACK OPTIONS

NO SCALE

Five degree (5°) setback (Standard)



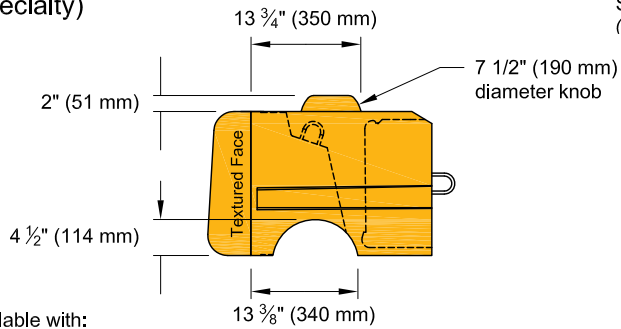
Setback = $1 \frac{5}{8}$ " (41 mm)
(5° batter angle on wall)



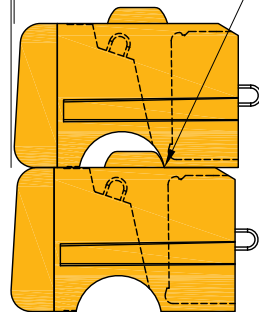
Available with:

- 28" (710 mm) blocks, 41" (1030 mm) blocks, and 60" (1520 mm) blocks
- 28" (710 mm) PC blocks (shown here) and 41" (1030 mm) PC blocks

One degree (1°) setback (Specialty)



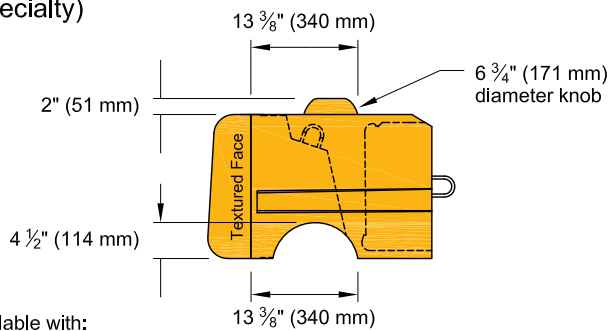
Setback = $\frac{3}{8}$ " (10 mm)
(1° batter angle on wall)



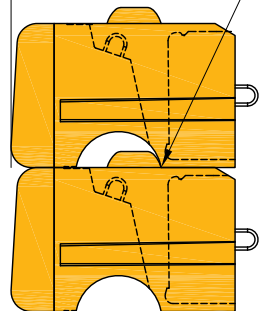
Available with:

- 28" (710 mm) blocks, 41" (1030 mm) blocks, and 60" (1520 mm) blocks
- 28" (710 mm) PC blocks (shown here) and 41" (1030 mm) PC blocks

Zero (0°) setback (Specialty)



Setback = 0" (0 mm)
(0° batter angle on wall)



Available with:

- 28" (710 mm) blocks, 41" (1030 mm) blocks, and 60" (1520 mm) blocks
- 28" (710 mm) PC blocks (shown here) and 41" (1030 mm) PC blocks

The block-to-block setback available with Redi-Rock is controlled by the size and location of the shear knobs (domes) cast into the blocks. While the 10" (254 mm) diameter knob and the 1 5/8" (41 mm) setback position is the most common configuration, Redi-Rock has three different knob sizes and three different locations available.

DRAWN BY:	JRJ
APPROVED BY:	JRJ
DATE:	06-22-2015
SHEET:	1 of 1

TITLE:	<h2>Block Setback Options Normal Batter</h2>	
FILE:		4 Block Setback Options Normal Batter 062215.dwg

REDI-ROCK®

05481 US 31 SOUTH, CHARLEVOIX, MI 49720
(866) 222-8400 ext 3010 • engineering@redi-rock.com
www.redi-rock.com