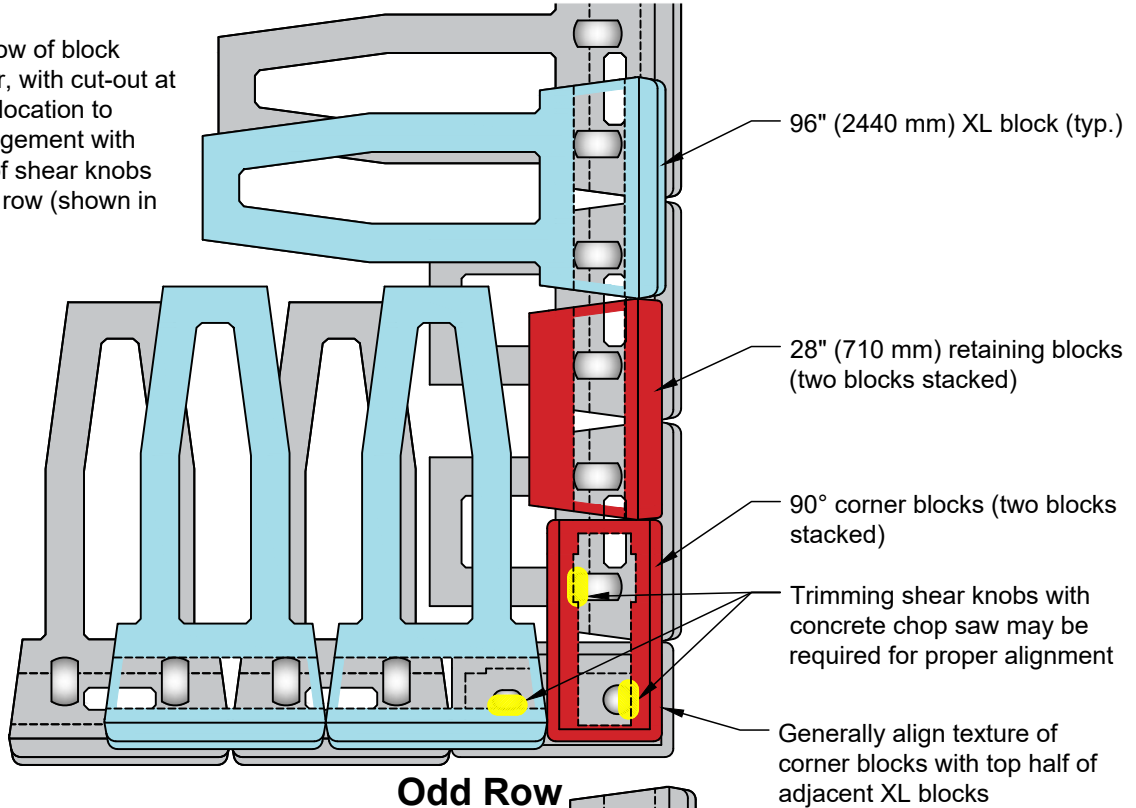
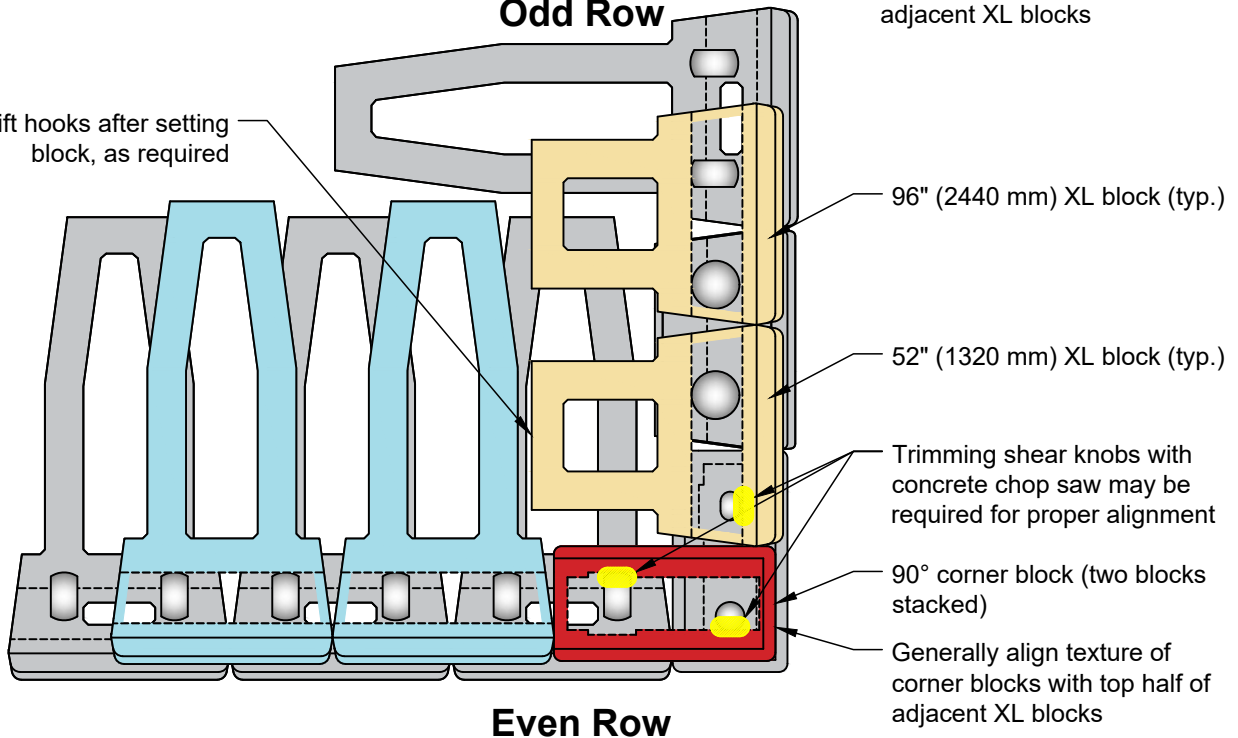


## 96" (2440 mm) XL BLOCKS

Note: Upper row of block shown in color, with cut-out at shear groove location to illustrate engagement with and location of shear knobs on underlying row (shown in gray).



Cut lift hooks after setting block, as required



This drawing is for reference only. Determination of the suitability and/or manner of use of any details contained in this document is the sole responsibility of the design engineer of record. Final project designs, including all construction details, shall be prepared by a licensed professional engineer using the actual conditions of the proposed site.

DRAWN BY:	NWL
APPROVED BY:	JRJ
DATE:	19JUN2019
SHEET:	1 of 2

TITLE:	<b>XL 90-Degree Outside Corner Detail</b>
FILE:	XL 96 outside corner details 061919.dwg

**REDI-ROCK**  
 05481 US 31 SOUTH, CHARLEVOIX, MI 49720  
 (866) 222-8400 ext 3010 • engineering@redi-rock.com  
[www.redi-rock.com](http://www.redi-rock.com)

96" (2440 mm) XL blocks  
36" (914 mm) high

Third row

Second row

First row

Two 18" (457 mm) high  
28" (710 mm)-series  
blocks

Two 18" (457 mm) high  
freestanding corner blocks

96" (2440 mm) XL blocks  
36" (914 mm) high

Second row

First row

52" (1320 mm) XL blocks

Two 18" (457 mm) high  
freestanding corner blocks

First row

96" (2440 mm) XL blocks  
36" (914 mm) high

Two 18" (457 mm) high 28"  
(710 mm)-series blocks

Two 18" (457 mm) high  
freestanding corner blocks

Trim shear knobs as needed for next row to  
engage correctly

This drawing is for reference only. Determination of the suitability and/or manner of use of any details contained in this document is the sole responsibility of the design engineer of record. Final project designs, including all construction details, shall be prepared by a licensed professional engineer using the actual conditions of the proposed site.

DRAWN BY:	NWL
APPROVED BY:	JRJ
DATE:	19JUN2019
SHEET:	2 of 2

TITLE:	<b>XL 90-Degree Outside Corner Isometric View</b>
FILE:	XL 96 outside corner details 061919.dwg

**REDI-ROCK**  
 05481 US 31 SOUTH, CHARLEVOIX, MI 49720  
 (866) 222-8400 ext 3010 • engineering@redi-rock.com  
[www.redi-rock.com](http://www.redi-rock.com)