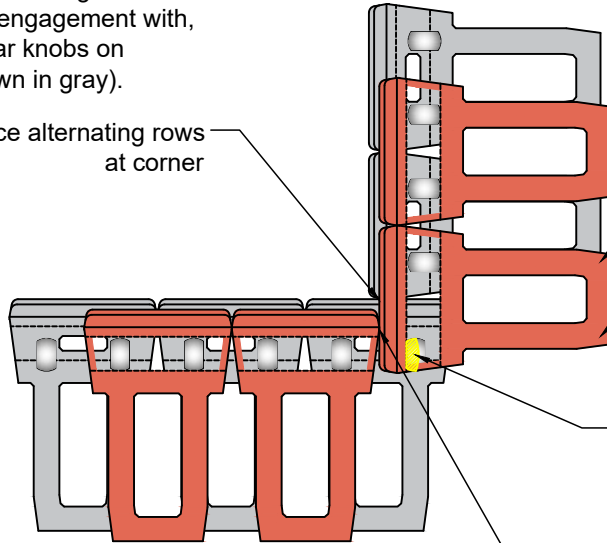


INSIDE CORNER | INTERLACED OPTION

Note: Upper row of block shown in color, with cut-out at shear groove location to illustrate engagement with, and location of, shear knobs on underlying row (shown in gray).

72" (1830 mm) block shown to illustrate concept. Concept applies to other XL block sizes.

Interlace alternating rows at corner



XL block (typ.)

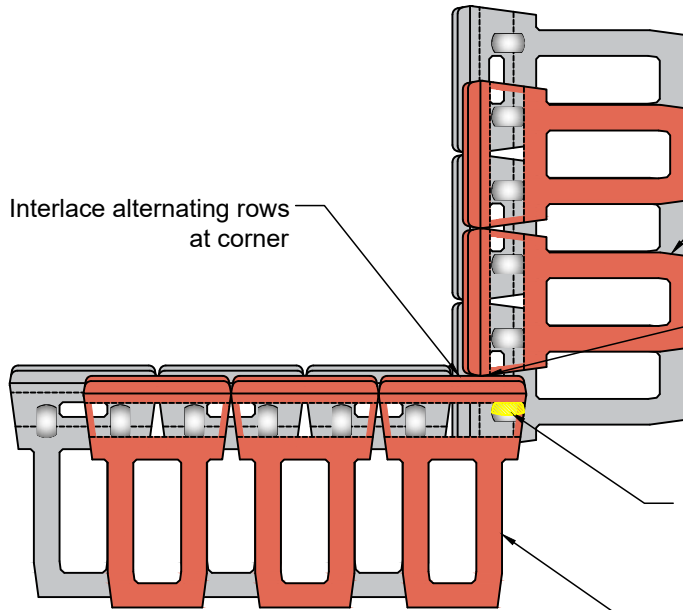
Ensure block is fully supported by compacted base material underneath.

Trim shear knobs with concrete chop saw to allow for proper alignment or align underlying course such that knob lines up with groove.

Odd Row

1½" gap due to face texture. Gap may be reduced by trimming texture and/or edge. Place geotextile drainage material at face.

Interlace alternating rows at corner



XL block (typ.)

1½" gap due to face texture. Gap may be reduced by trimming texture and/or edge. Place geotextile drainage material at face.

Trim shear knobs with concrete chop saw to allow for proper alignment or align underlying course such that knob lines up with groove.

Even Row

Ensure block is fully supported using compacted base material

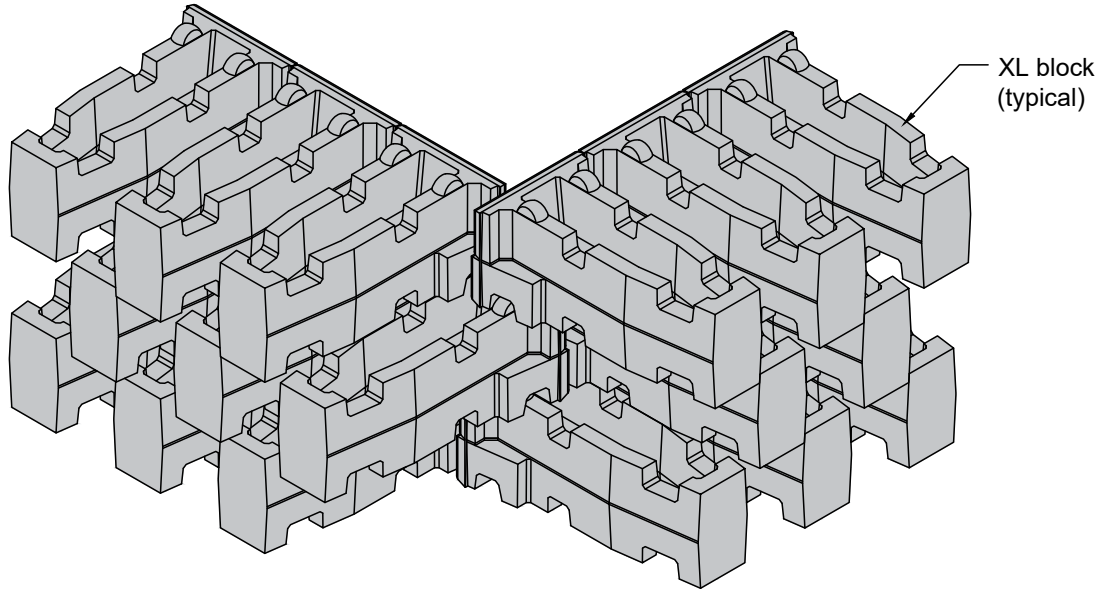
This drawing is for reference only. Determination of the suitability and/or manner of use of any details contained in this document is the sole responsibility of the design engineer of record. Final project designs, including all construction details, shall be prepared by a licensed professional engineer using the actual conditions of the proposed site.

DRAWN BY:	NWL
APPROVED BY:	JRJ
DATE:	18JUN2019
SHEET:	1 of 2

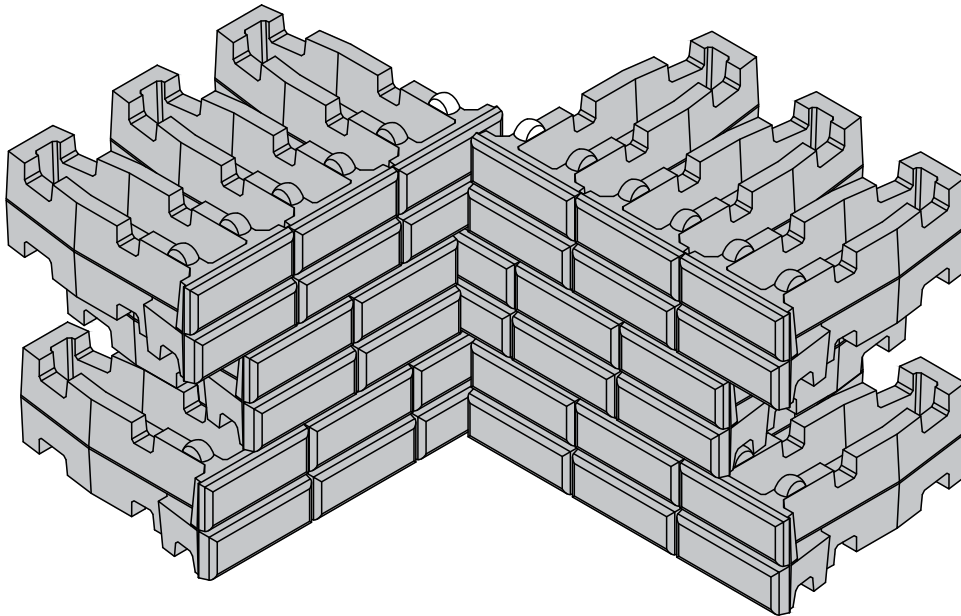
TITLE:	XL 90-Degree Inside Corner Detail
FILE:	XL inside corner interlaced details 061819.dwg

REDI-ROCK
 05481 US 31 SOUTH, CHARLEVOIX, MI 49720
 (866) 222-8400 ext 3010 • engineering@redi-rock.com
www.redi-rock.com

INSIDE CORNER | INTERLACED OPTION



Rear View



Front View

72" (1830 mm) block shown to illustrate concept. Concept applies to other XL block sizes.

This drawing is for reference only. Determination of the suitability and/or manner of use of any details contained in this document is the sole responsibility of the design engineer of record. Final project designs, including all construction details, shall be prepared by a licensed professional engineer using the actual conditions of the proposed site.

DRAWN BY:	NWL	TITLE:	XL 90-Degree Inside Corner Detail	 05481 US 31 SOUTH, CHARLEVOIX, MI 49720 (866) 222-8400 ext 3010 • engineering@redi-rock.com www.redi-rock.com
APPROVED BY:	JRJ	FILE:		
DATE:	18JUN2019	XL inside corner interlaced details 061819.dwg		
SHEET:	2 of 2			