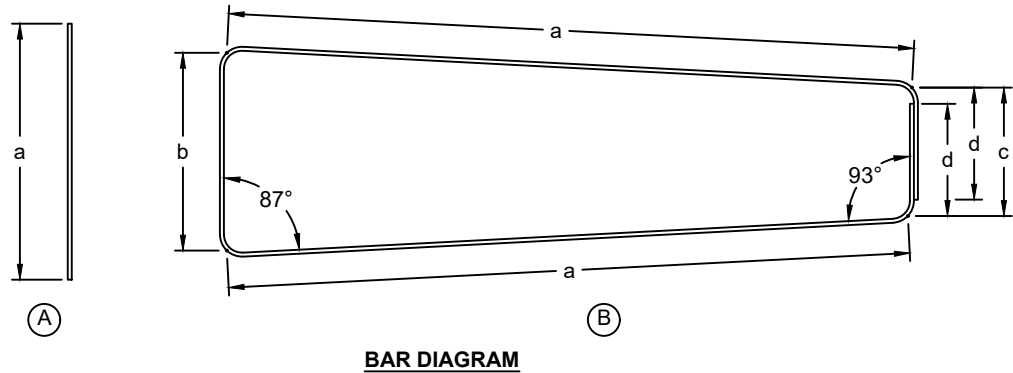
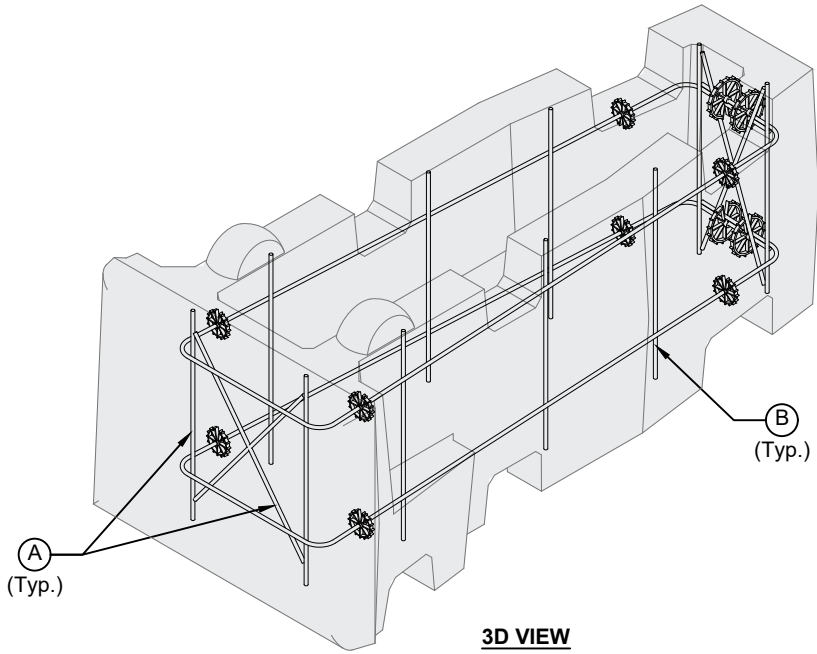


Reinforcing Steel

R-9636HC 96" (2,440 mm) Hollow Core Retaining Block



BAR SCHEDULE

BAR*	DIMENSIONS				LENGTH/BAR	NO. BARS	TOTAL LENGTH
	a	b	c	d			
(A)	2'-8" (813 mm)				2'-8" (0.81 m)	14	37'-4" (11.38 m)
(B)**	7'-1½" (2172 mm)	2'-0 ¾" (629 mm)	1'-4" (406 mm)	1'-2" (356 mm)	18'-8" (5.69 m)	2	37'-4" (11.38 m)
TOTAL:							74'-8" (22.76 m)

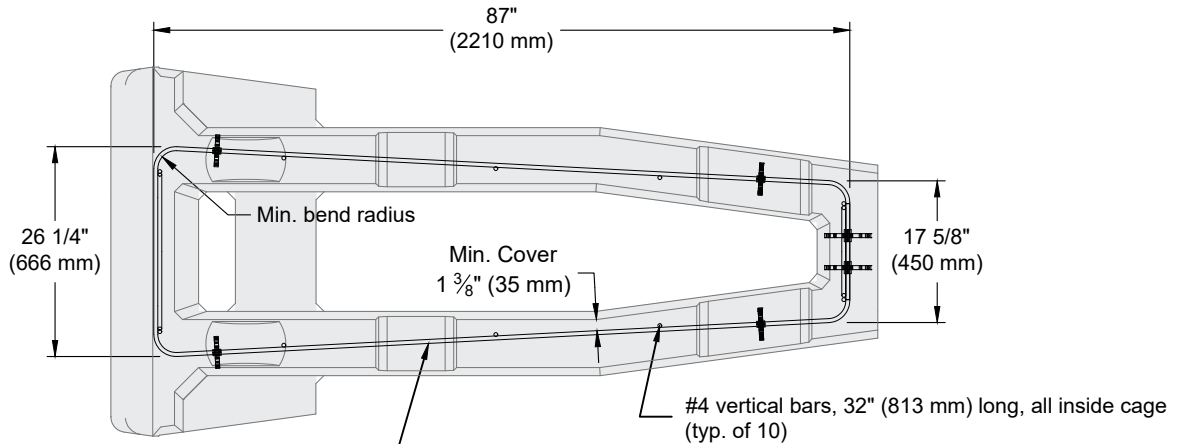
*All bars #4, ASTM A615 or A706 Grade 60 (13 mm, 420 mPa)

**Bar (B) may be supplied in two parts, with a lap splice along the front dimension, "b". Minimum lap splice length is 12 inches (305 mm).

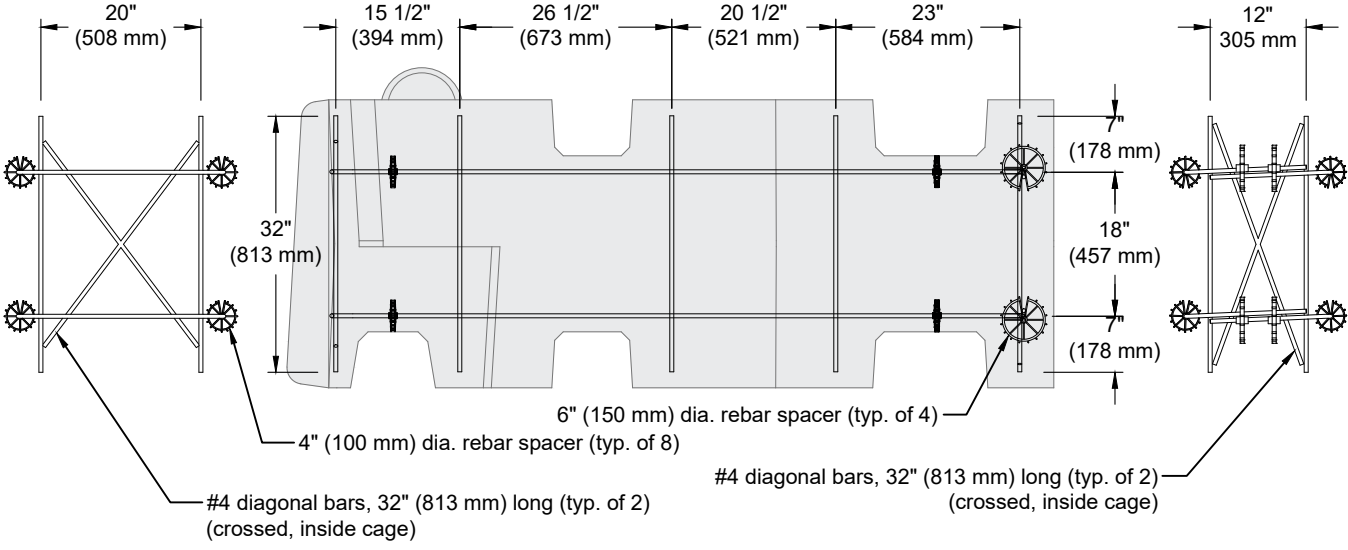
RETAINING BLOCKS

Reinforcing Steel

R-9636HC 96" (2,440 mm) Hollow Core Retaining Block



TOP VIEW



FRONT VIEW

SIDE VIEW

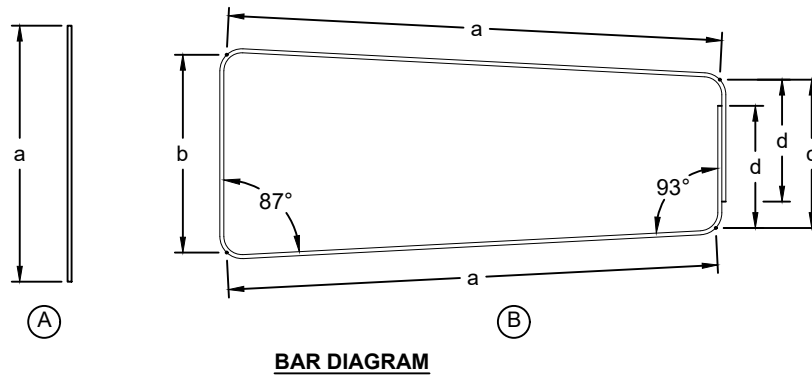
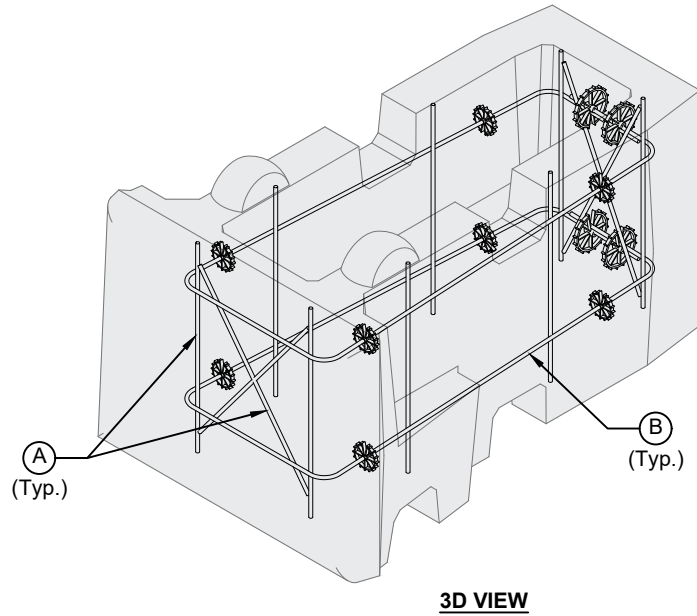
BACK VIEW

Notes:

1. All bar shall comply with ASTM A615 or A706, Grade 60 (13 mm, 420 MPa).
2. Secure all bar intersections.
3. Maintain concrete cover of no less than 1 inch (25 mm) over all reinforcing steel. Actual cover varies.

Reinforcing Steel

R-7236HC 72" (1,830 mm) Hollow Core Retaining Block



BAR SCHEDULE

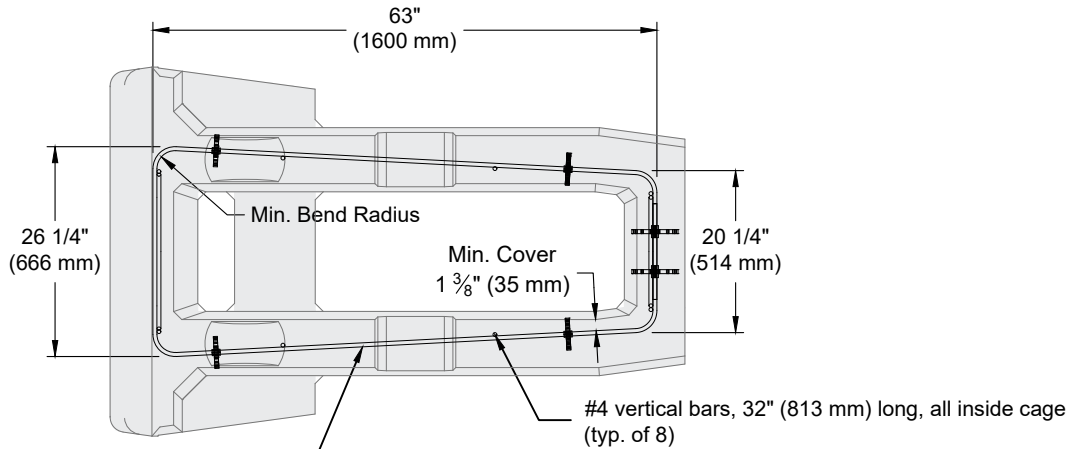
BAR*	DIMENSIONS				LENGTH/BAR	NO. BARS	TOTAL LENGTH
	a	b	c	d			
(A)	2'-8" (813 mm)				2'-8" (0.81 m)	12	32'-0" (9.75 m)
(B)	5'-1 1/2" (1562 mm)	2'-0 3/4" (629 mm)	1'-6 1/2" (470 mm)	1'-3 1/4" (387 mm)	14'-10" (4.52 m)	2	29'-8" (9.04 m)
TOTAL:							61'-8" (18.79 m)

*All bars #4, ASTM A615 or A706 Grade 60 (13 mm, 420 mPa)

**Bar (B) may be supplied in two parts, with a lap splice along the front dimension, "b". Minimum lap splice length is 12 inches (305 mm).

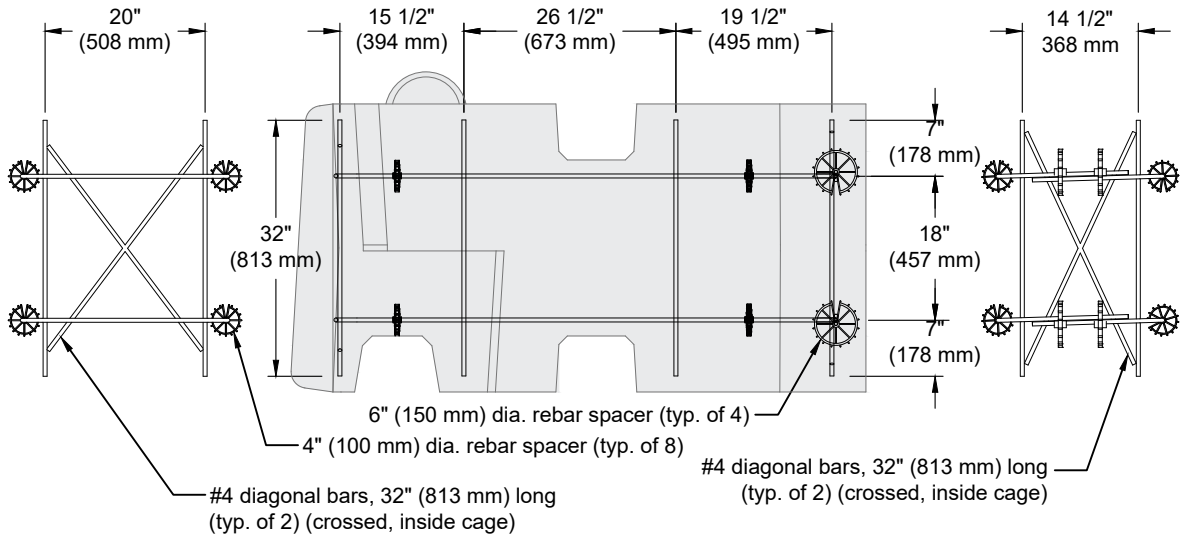
Reinforcing Steel

R-7236HC 72" (1,830 mm) Hollow Core Retaining Block



#4 bent hoop, bent as shown (typ. of 2)
(continuous bar, overlap 12" (305 mm) min., back end)

TOP VIEW



FRONT VIEW

SIDE VIEW

BACK VIEW

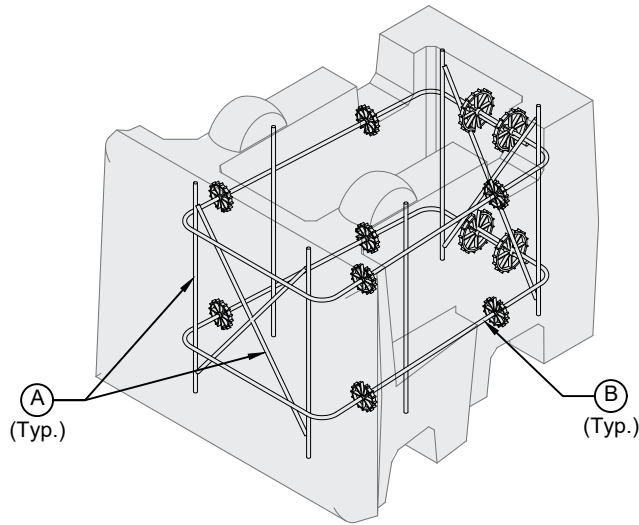
Notes:

1. All bar shall comply with ASTM A615 or A706, Grade 60 (13 mm, 420 MPa).
2. Secure all bar intersections.
3. Maintain concrete cover of no less than 1 inch (25 mm) over all reinforcing steel. Actual cover varies.

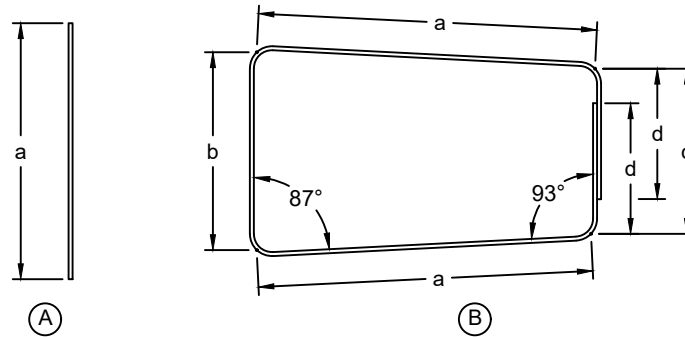
RETAINING BLOCKS

Reinforcing Steel

R-5236HC 52" (1,320 mm) Hollow Core Retaining Block



3D VIEW



BAR DIAGRAM

BAR SCHEDULE

BAR*	DIMENSIONS				LENGTH/BAR	NO. BARS	TOTAL LENGTH
	a	b	c	d			
(A)	2'-8" (813 mm)				2'-8" (0.81 m)	10	26'-8" (8.13 m)
(B)	3'-6" (1067 mm)	2'-0 ³ / ₄ " (629 mm)	1'-8 ³ / ₄ " (527 mm)	1'-4 ¹ / ₄ " (413 mm)	11'-9" (3.58 m)	2	23'-6" (7.16 m)
TOTAL:							50'-2" (15.29 m)

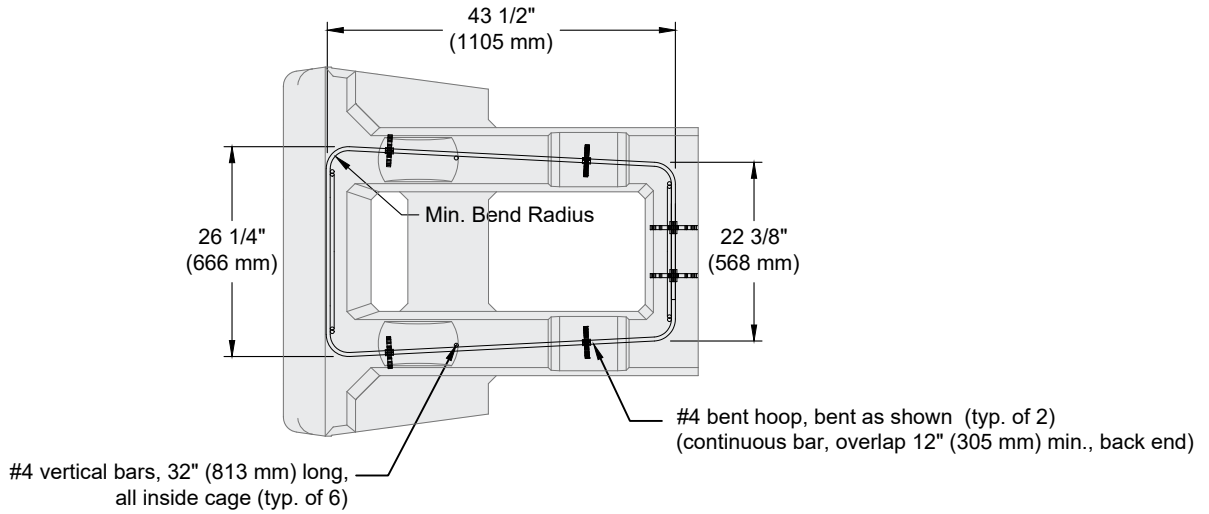
*All bars #4, ASTM A615 or A706 Grade 60 (13 mm, 420 mPa)

**Bar (B) may be supplied in two parts, with a lap splice along the front dimension, "b". Minimum lap splice length is 12 inches (305 mm).

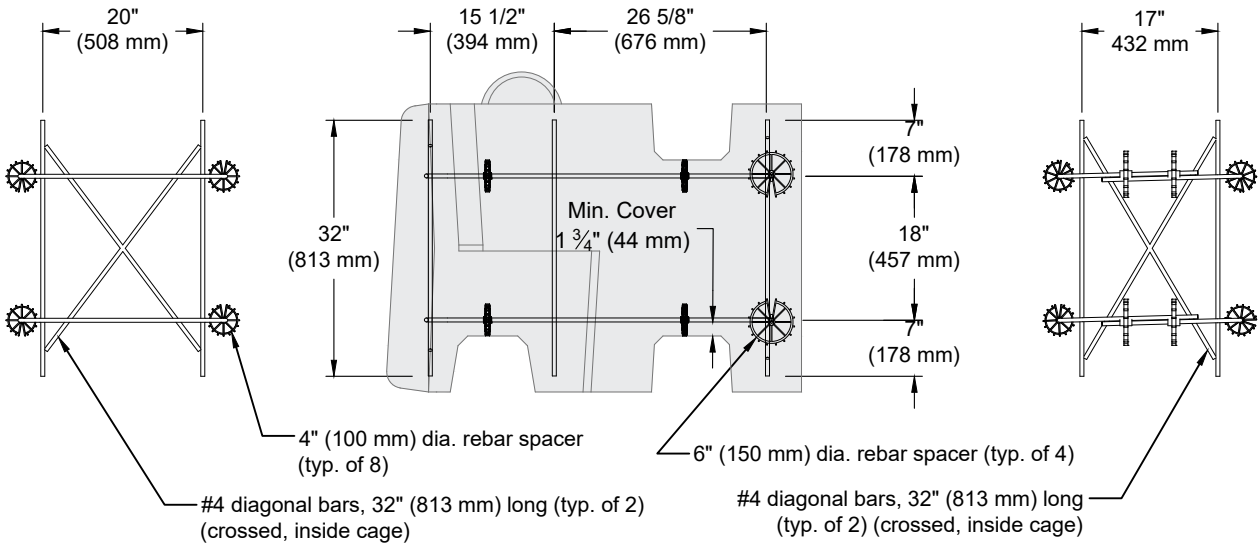
RETAINING BLOCKS

Reinforcing Steel

R-5236HC 52" (1,320 mm) Hollow Core Retaining Block



TOP VIEW



FRONT VIEW

SIDE VIEW

BACK VIEW

Notes:

1. All bar shall comply with ASTM A615 or A706, Grade 60 (13 mm, 420 MPa).
2. Secure all bar intersections.
3. Maintain concrete cover of no less than 1 inch (25 mm) over all reinforcing steel. Actual cover varies.